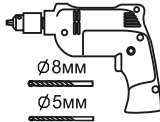
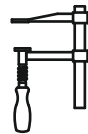
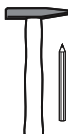
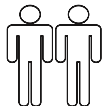


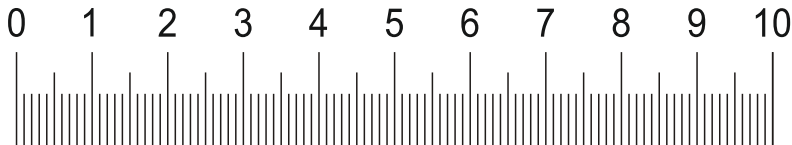
No	O/A 1800	Qty	Pkg
1	2200*507*16	1	1/5
2	2200*507*16	1	1/5
3	2200*507*16	1	2/5
4	776*507*16	1	2/5
5	776*507*16	1	2/5
6	776*503*16	2	2/5
7	776*490*16	3	3/5
8	976*507*16	2	3/5
9	976*507*16	2	4/5
10	976*503*16	2	4/5
11	776*70*16	2	4/5
12	976*70*16	2	4/5
<b>SH01</b>	L-973	1	4/5



<p>6x34 16x <b>T01</b></p>	<p>Ø15 32x <b>D15</b></p>	<p>3,5x16 20x <b>S01</b></p>	<p>7x50 12x <b>E01</b></p>	<p>4MM 1x <b>K4</b></p>	<p>8x30 16x <b>W-30</b></p>	<p>8x50 8x <b>W-50</b></p>
<p>76x32 2x <b>O01</b></p>	<p>2x <b>B01</b></p>	<p>6x <b>P01</b></p>	<p>100x20 2x <b>P03</b></p>	<p>Ø15 12x <b>Z06</b></p>	<p>Ø18 32x <b>Z07</b></p>	<p>8x84 8x <b>T04</b></p>

<p>5x16 12x <b>C01</b></p>
--------------------------------

<p>L=973 1x <b>SH01</b></p>
---------------------------------



1

6x34



16x

T01

3,5x16



16x

S01

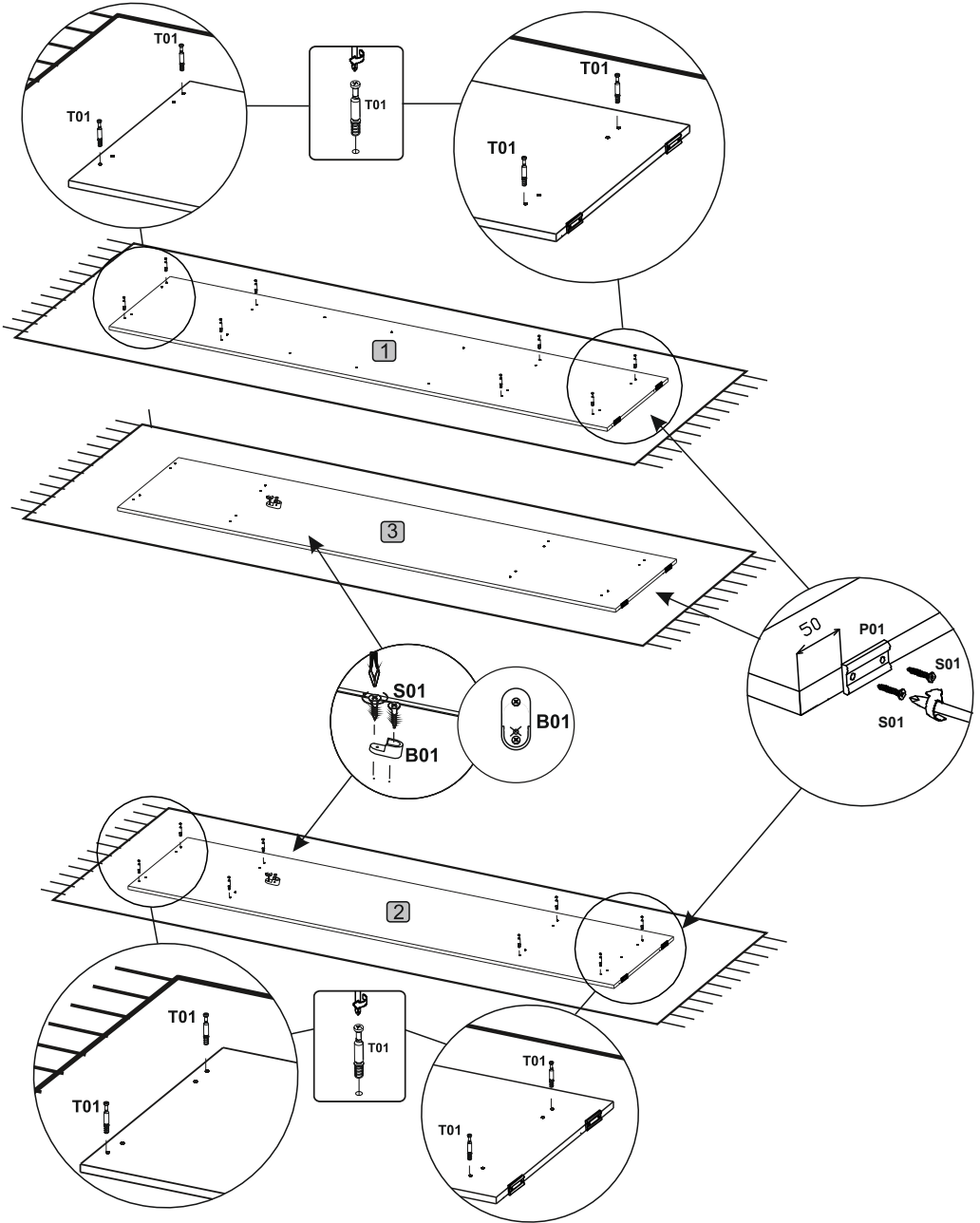
2x

B01

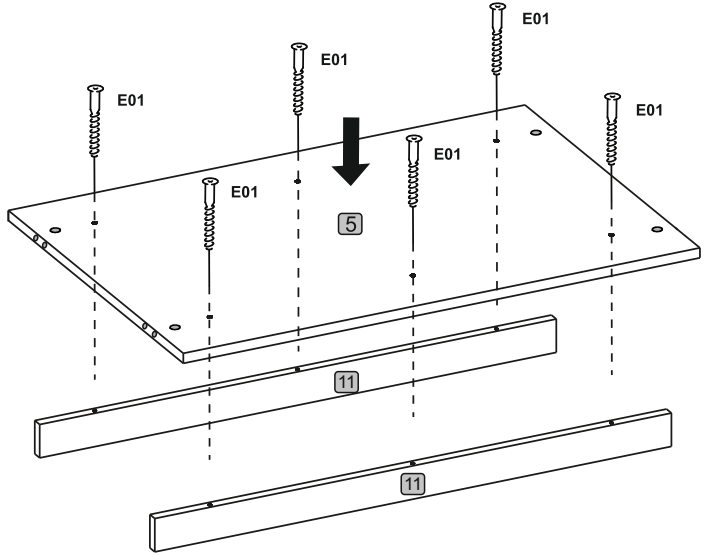
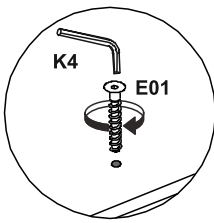
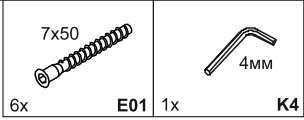


6x

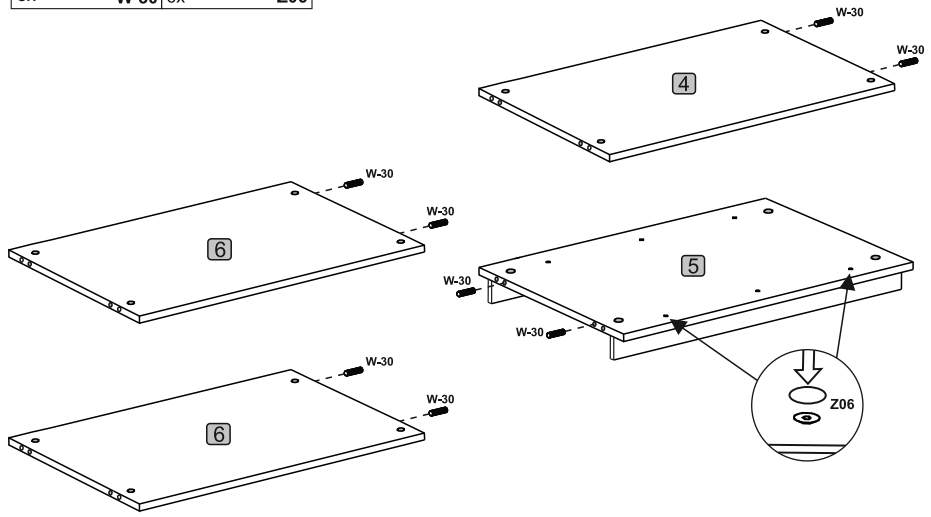
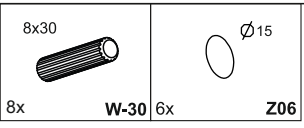
P01



2



3





4



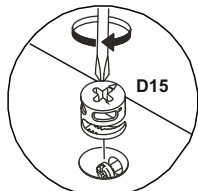
16x

D15

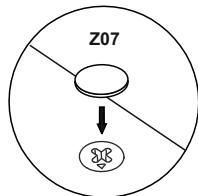


16x

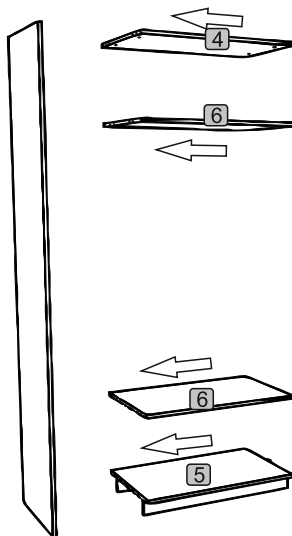
Z07



D15



Z07

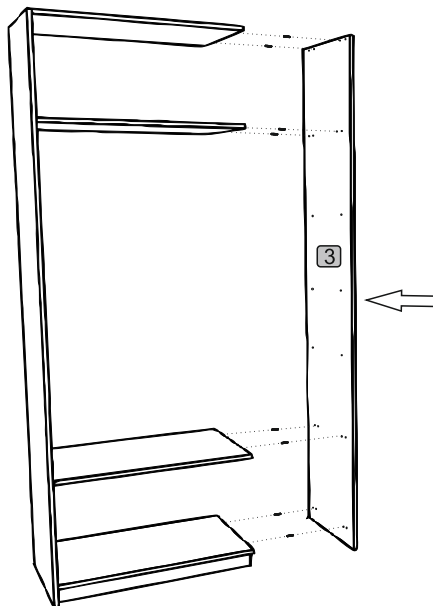


4



8x

W-50



4

Ø15



16x

D15

Ø18



16x

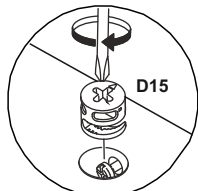
Z07

8x84

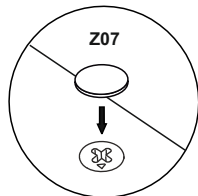


8x

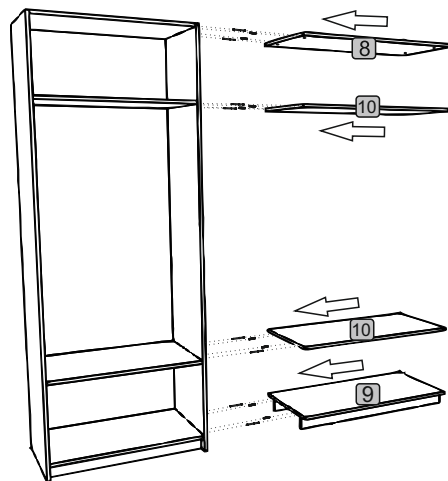
T04



D15



Z07



4

Ø15



8x

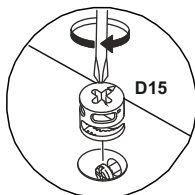
D15

Ø18

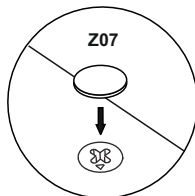


8x

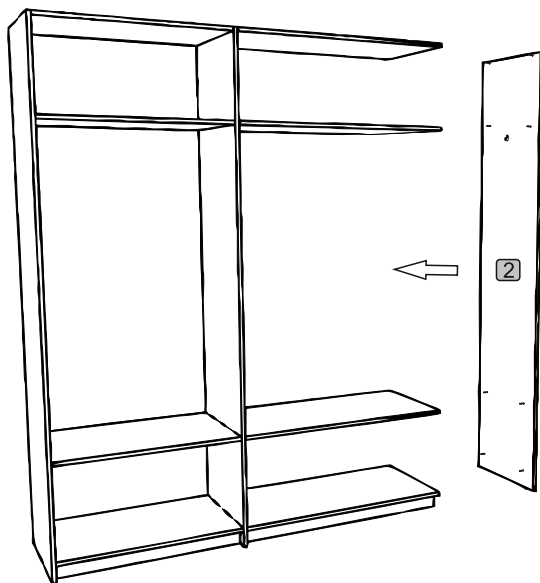
Z07



D15



Z07





# 6



2x

O01



4x

S01



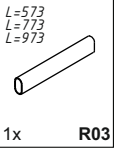
2x

P03



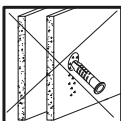
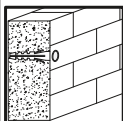
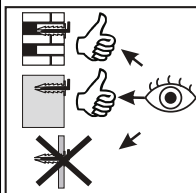
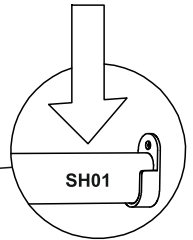
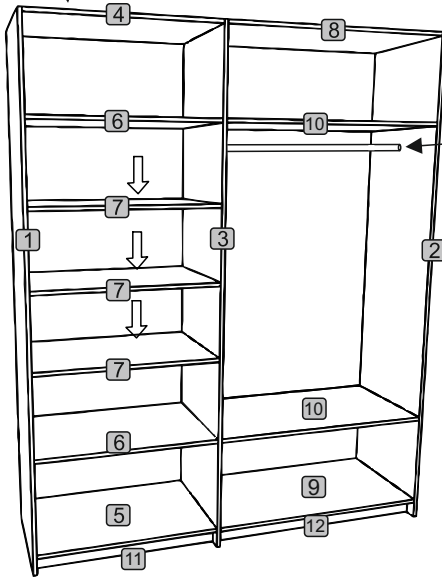
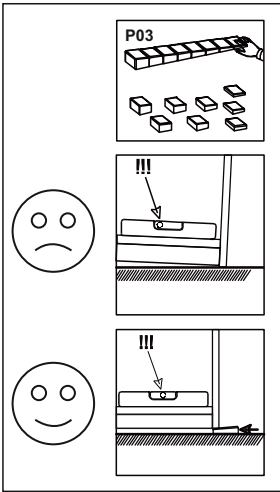
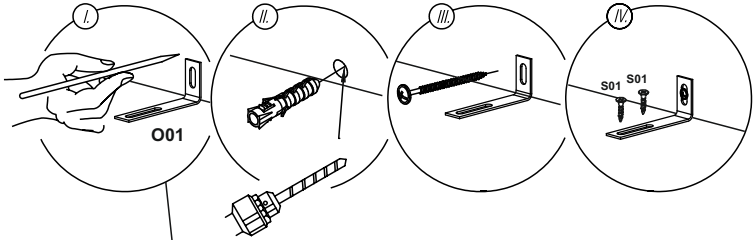
12x

C01

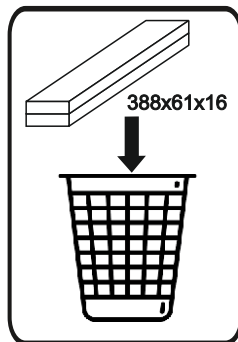
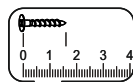
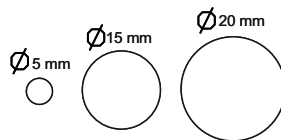
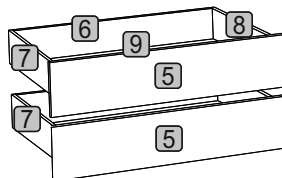
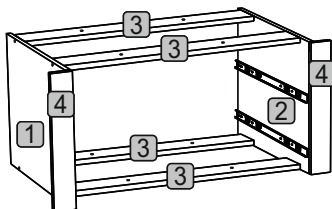
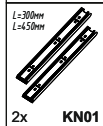
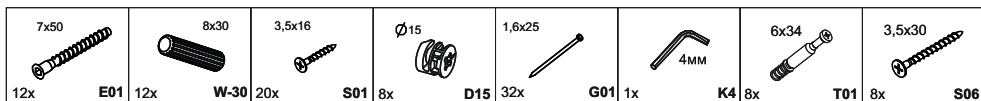


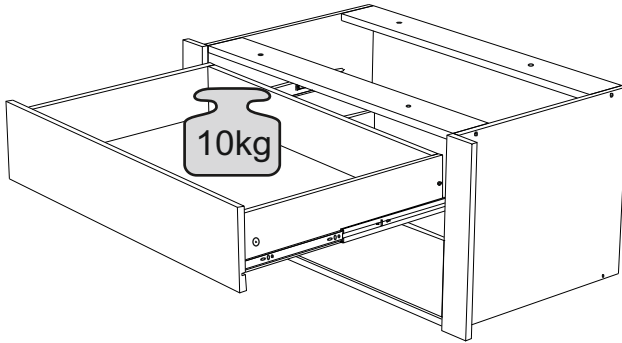
1x


R03

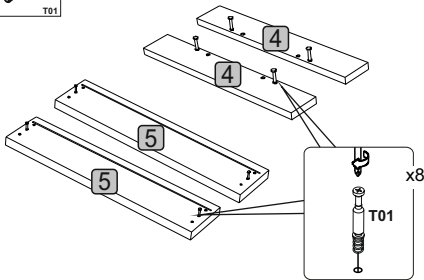


No	↙ 576	↙ 776	↙ 976	↗ 600	Pkg
1	388x455x16	388x455x16	388x455x16	1	5/5
2	388x455x16	388x455x16	388x455x16	1	5/5
3	454x80x16	654x80x16	854x80x16	4	5/5
4	388x41x16	388x41x16	388x41x16	2	2/5
5	446x158x16	646x158x16	846x158x16	2	5/5
6	396x100x16	596x100x16	796x100x16	2	5/5
7	450x100x16	450x100x16	450x100x16	2	5/5
8	450x100x16	450x100x16	450x100x16	2	5/5
9	455x428x3	455x628x3	455x828x3	2	5/5
<b>KN01</b>	<b>L-450</b>	<b>L-450</b>	<b>L-450</b>	<b>2</b>	<b>5/5</b>

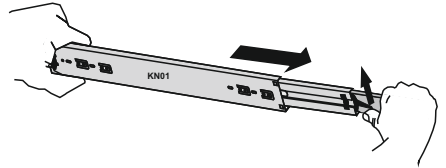




17  6x34  
8x T01

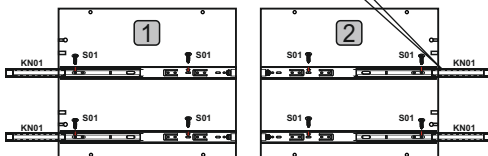
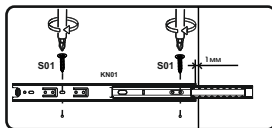


18  1x  
2x KN01



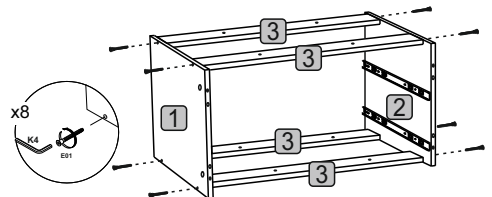
19  3.5x16  
6x S01

 2x  
KN01

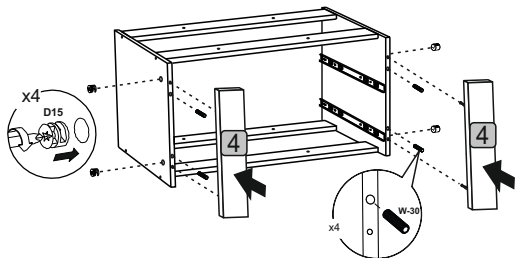


20  7x50  
8x E01

 1x  
K4



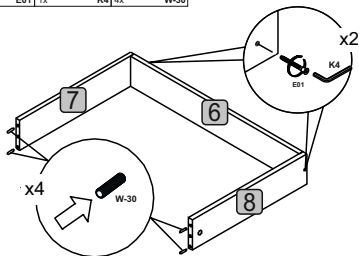
21



22



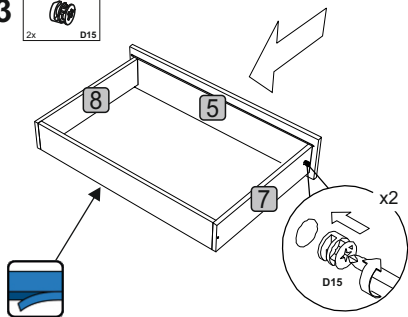
x2



23



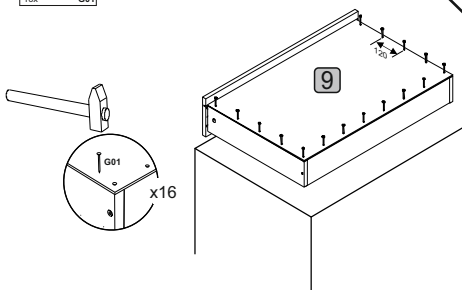
x2



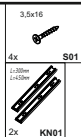
24



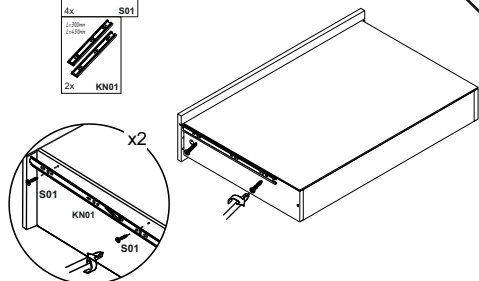
x2



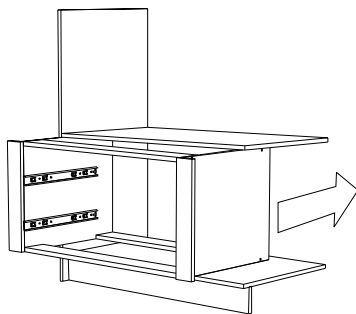
25



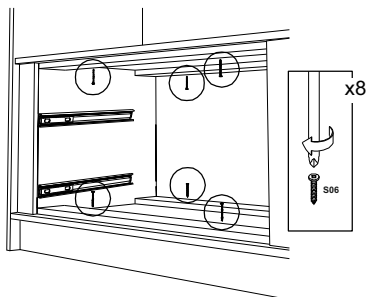
x2



26



27



28

x2

